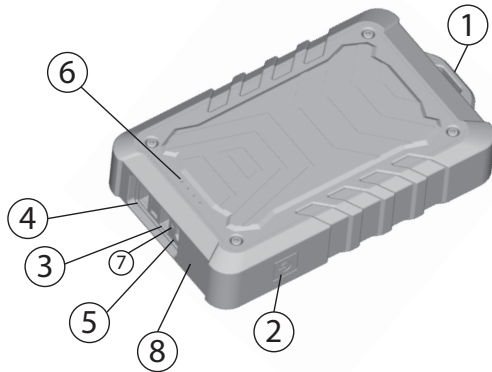


EN -User Manual ONPOWER 710

A. LED indicators :



- 1 : Lanyard hole
- 2 : Power key
- 3 : USB1 Output
- 4 : USB2 Output
- 5 : Micro USB Input
- 6 : LED indicators
- 7 : LED Light
- 8 : Cover

B. Features

- High capacity of 7800mAh.
- Two USB output.
- Built-in LED lighting function.
- Smart LEDS display of remaining power.
- Water proof design IPX4 (rain and projections).
- Multiple safety protection system to ensure devices safety protection for overcharge overvoltage overburdens and short circuit.

C. Specification

Battery Type: Li-ion Battery.

Capacity: 7800mAh / 28.9Wh.

Input: Micro USB 5V/1A.

Output: USB1 5V/1A USB2 5V/2. 1A.

Dimension: 115*69*27mm.

Weight: 261g +- 10g.

Accessory : 1 USB cable.

D. How to use the ONPOWER 710

1. Turn on the ONPOWER 710: Short press the power key, make the LED power indicator start constantly, it means the power start.
2. Turn off the ONPOWER 710: Short press the power key, make the LED power indicator close, it means the power close.
3. Open the LED Light; Long press the button (3s), it means the torch start.
4. Close the LED Light Long press me button (3s), it means the torch dose.

E. How to charge ONPOWER 710

1. Charge by Computer or Adapter : connect the ONPOWER 710 with USB cable.
2. The LED indicators will flicker when charging the ONPOWER 710.
3. The LED indicators will all light when full charging.

Note: Please charge and restart the ONPOWER 710 while it is under lock. Status or in shortcut protection caused by incorrect operation.

F. How to test remaining power

Press the power button to check remain power.

Power status:

LED Light	ON OFF	Capacity	LED indicator flash
○ ○ ○ ○	●	<10%	○
● ○ ○ ○	○	10%-35%	○
● ● ○ ○	○	35%-65%	●
● ● ● ○	○	65%-85%	●
● ● ● ●	○	85%-100%	●

G. How to charge your device

Fit For:

Ipad, Iphone, Mobile Phone, MP3/MP4 ,PSP/NDS.

1. Use your original USB data cable or our standard cable to connect USB cable and device connector.
2. Connect the device and ONPOWER 710.
3. Turn on your ONPOWER 710.
4. Disconnect your device after fully charged.

H. Caution

1. Please completely full charge the ONPOWER 710 in first usage.
2. Please make sure that use standard cable with appropriate specification. or it may lead to the ONPOWER 710 damage.
3. Please confirm the voltage of the electric device is 5V before charging it.
4. Do not drop. knock disassemble or attempt to repair the ONPOWER 710 by yourself.
5. Do not immerse or put the ONPOWER 710 in water or damp place.
6. Do not expose or put the ONPOWER 710 near to heat sources or flammable place.
7. Do not put the ONPOWER 710 in car for Strong light and high temperature will lead to product damage.
8. Keep the ONPOWER 710 away from children.
9. Do not put any item into the ONPOWER 710 USB input and output ports to avoid any shortcut or damage.
10. Please make a complete charge every four month to avoid shorten the ONPOWER 710 life span.

I. Warranty:

2 year guarantee subject to normal usage (accessories are out of warranty).